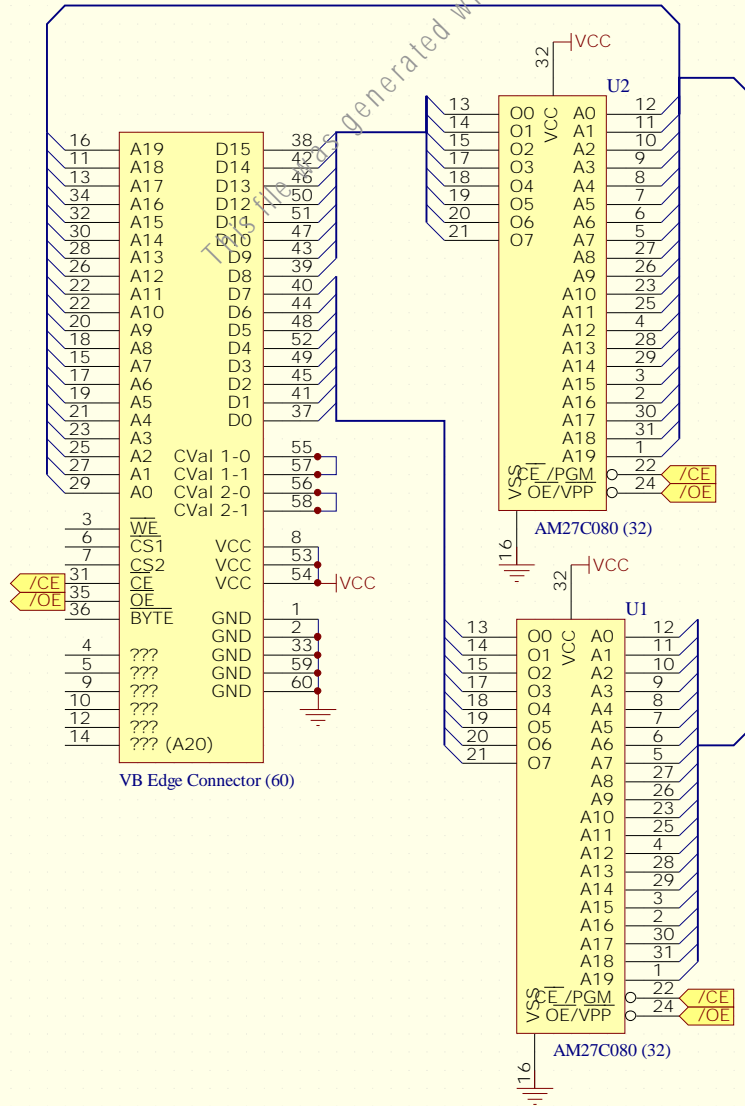


1024KB x 16 bit Reprogrammable Cartridge

Connecting 2 32 pin EPROMs to the VB edge connector

You can substitute a 27C040, 27C020, 29W080, 29W040, or 29W020 for the 27C080 EPROMs



Title		
Size Letter	Number	Revision
Date: 30-Aug-2000	Sheet of	
File: C:\WINNT\Profiles\david\Desktop\Projects\VB\VBDev\vb_eprom\VB_U		