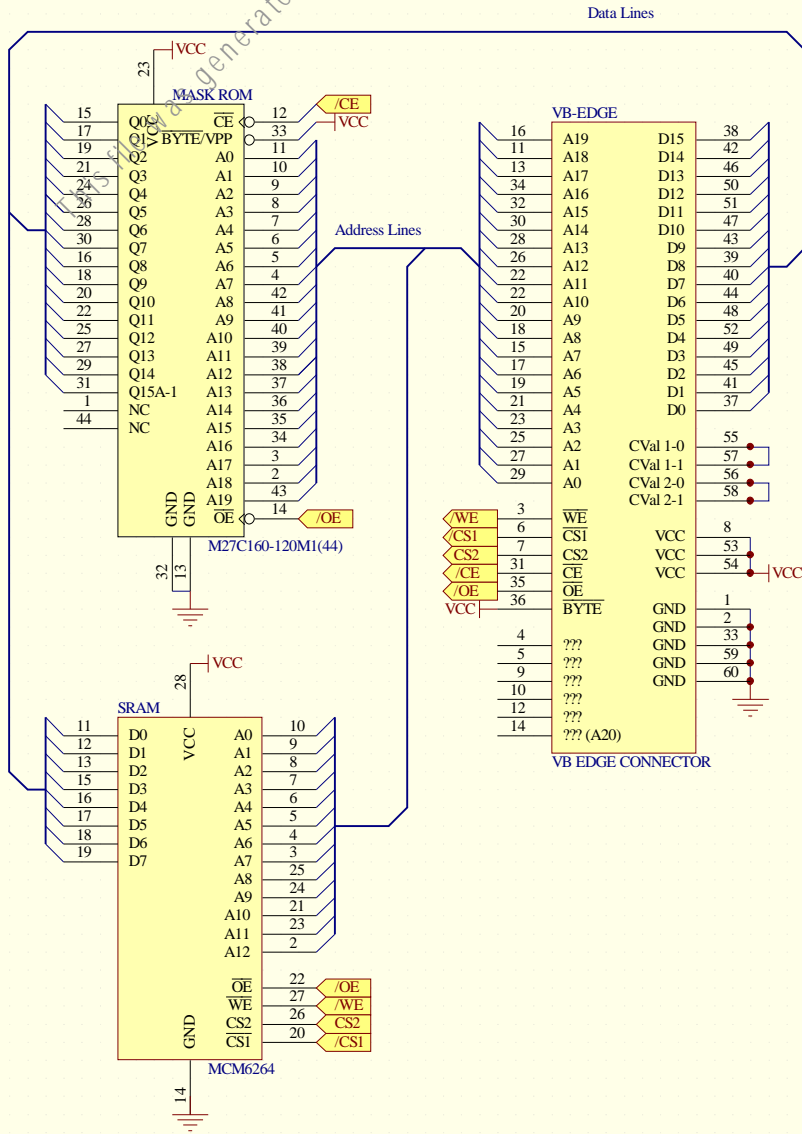


### Schematic of a VB cart

Notes: This is missing the sram battery controller.  
 /OE is tied to both the ROM and RAM, /CE, /CS1 and CS2 are used to select the active device.  
 When replacing the Mask ROM with a Flash RAM tie the /WE line to /WE on the buss and the /Reset line to VCC.



Title		
Size	Number	Revision
Letter		
Date:	30-Aug-2000	Sheet of
File:	C:\WINNT\Profiles\david\Desktop\tucker\VB\VBDev\vb_eprom\VB_EPROM.ddb	